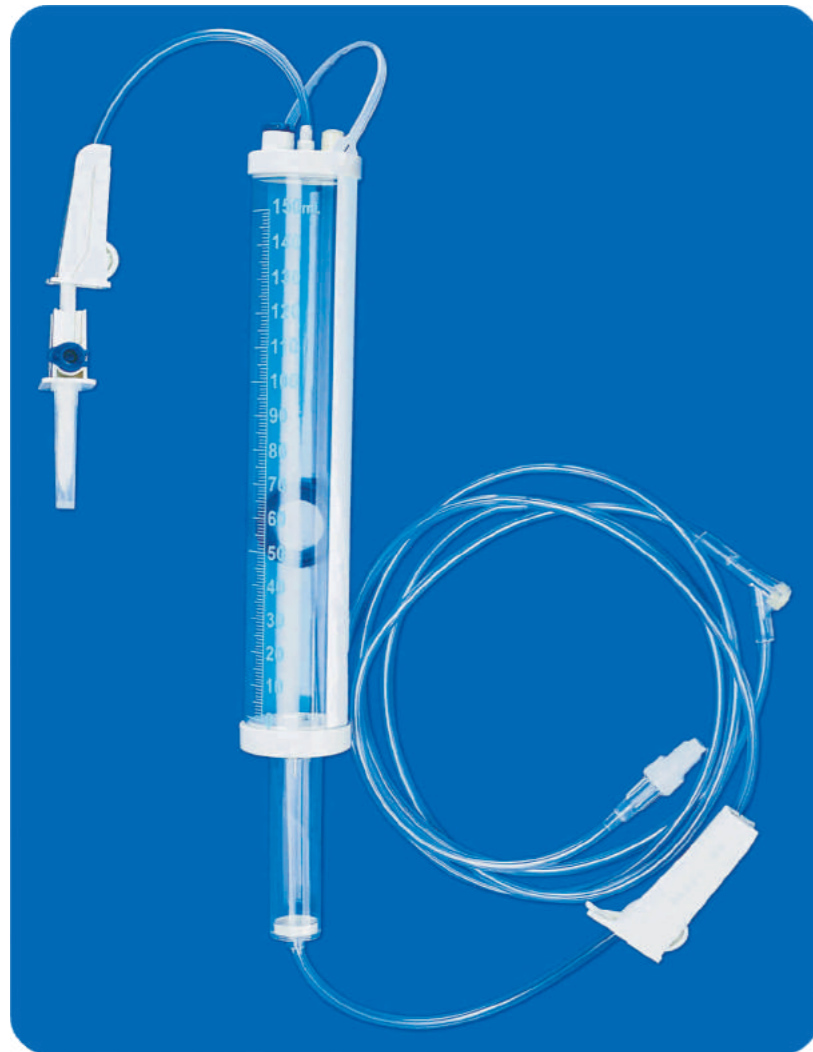
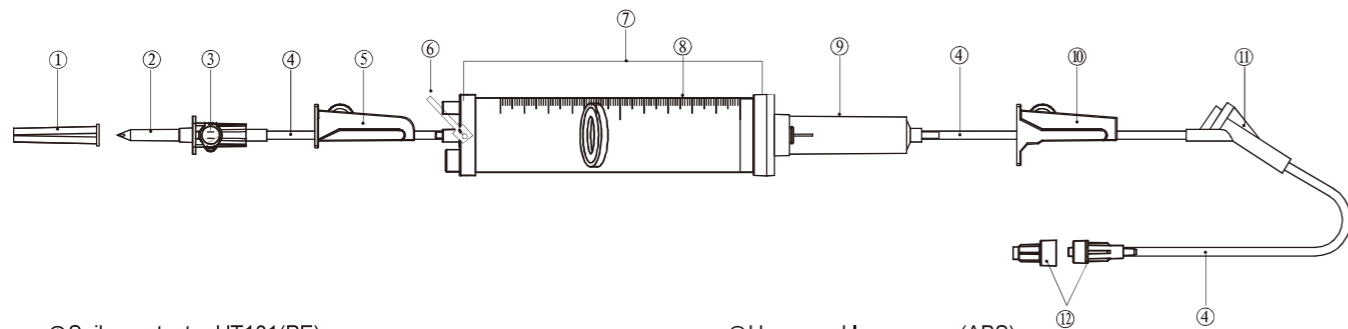


# IV Burette Set 小儿吊瓶套装



**IV Burette set**  
标准滴定管输液器  
DEHP-Free available



- ① Spike protector HT101(PE)
- ② Vented spike VST01(ABS)
- ③ Air cap(PVC) Hydrophobic membrane 0.5µm(Glass fiber)
- ④ Tube 3.0\*4.0mm(PVC)
- ⑤ ON/OFF Roller clamp RC103(ABS)
- ⑥ Hanger(PE)
- ⑦ Upper and lower cover(ABS)
- ⑧ Burette chamber(PETG)
- ⑨ 72mm Drip chamber(PVC)
- ⑩ Roller clamp RC101-B(ABS)
- ⑪ Y-injection site ST102-IR(PC&Isoprene rubber)
- ⑫ Male luer lock(ABS) and cap(PE)

# Optional Part 可选择的部件

## Upper cover

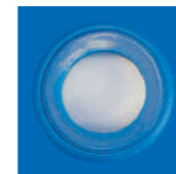
上盖



Upper Cover	Injection site
	Normal injection site
	with Needle-free valve

## Float Valve

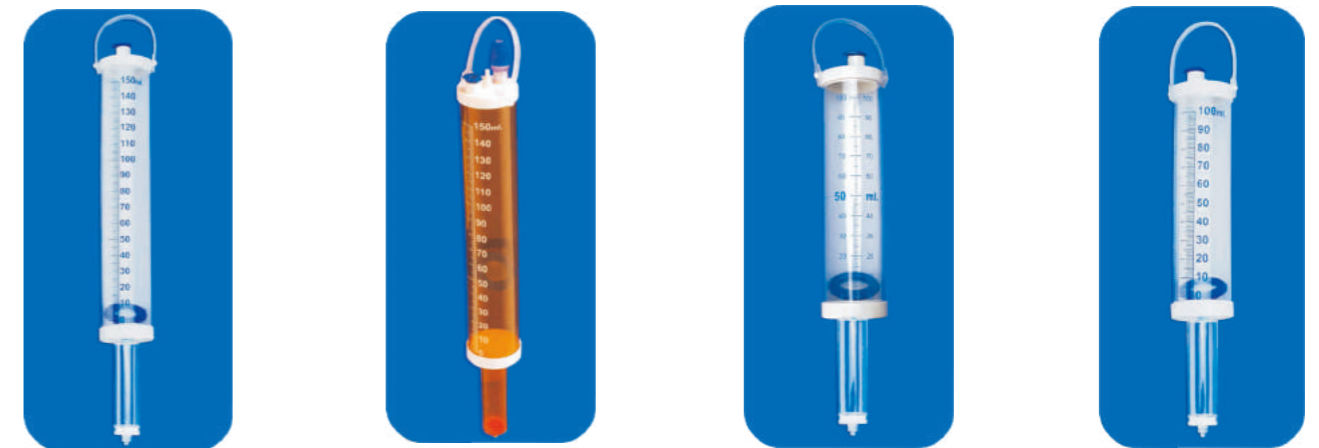
浮阀



Float Valve	Color	Material
	Blue	PP+Silicon

## Burette Chamber

筒体



Burette Chamber	Color	Printing	Volume
	Transparent	Single-scale	100 ml
	Light-resistant	Double-scale	150 ml